

LAN Transformer Module

LAN-16G24_P-Series

1. Features

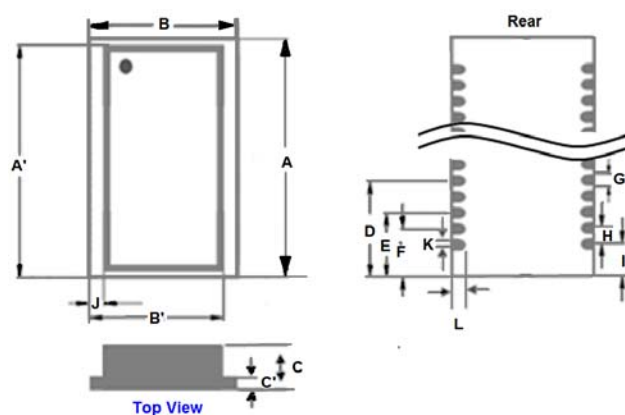
1. Low profile, small footprint saves board space and height
2. Compliant with IEEE 802.3ab standard for 1000BASE-T
3. Pin to Pin compatibility with LAN transformer
4. Operating temperature range: -40°C to +85°C
5. Storage temperature range: -40°C to +85°C
6. 100% Lead (Pb)-Free and RoHS compliant.



2. Applications

1. 1000 Base-T, Single Port, Low profile Modules w/Surge Protection
2. Notebook pc LAN Pulse Transformer Module
3. Hub switch, Ap router Multi-port Pulse Transformer.

3. Dimensions



Series	units: mm	A	A'	B	B'	C	C'	D	E	F	G	H	I	J	K	L
LAN-16G241P1A8		16.5	16.0	10.3	9.65	4.1	0.8	6.75	4.75	3.75	0.4	1.0	2.75	0.65	0.2	1.0
LAN-16G241P1B8		16.5	16.0	10.3	9.65	4.1	0.8	6.75	4.75	3.75	0.4	1.0	2.75	0.65	0.2	1.0
LAN-16G242P1A8		16.5	16.0	10.3	9.65	4.1	0.8	6.75	4.75	3.75	0.4	1.0	2.75	0.65	0.2	1.0

4. Part Numbering

LAN - 16 G 24 1 P1 A8

A B C D E F G

A: Series C: Application E: Center tab G: Special
 B: Dimensions D: Pin F: Pitch

5. Specification

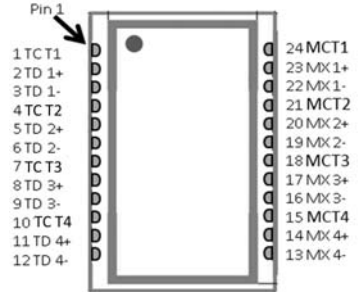
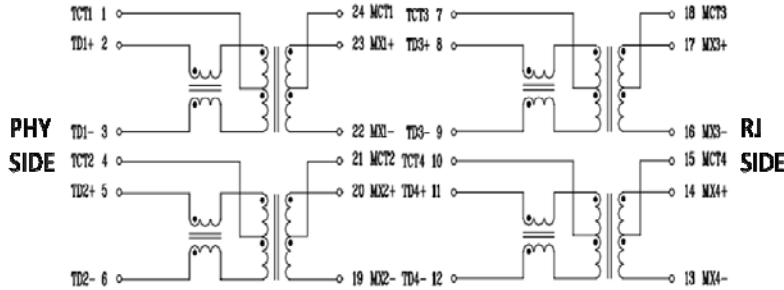
Part Number	Insertion Loss (dB Max)	Return Loss (dB min)					Cross talk (db min)	DCMR(dB Min)	
		1~100Mhz	1~30Mhz	40Mhz	50Mhz	60~80Mhz		100Mhz	1~100Mhz
LAN-16G241P1A8	-1.1	-18	-14.4	-13.1	-12	-10	-35	-35	-30
LAN-16G241P1B8	-1.1	-18	-14.4	-13.1	-12	-10	-35	-35	-30
LAN-16G242P1A8	-1.1	-18	-14.4	-13.1	-12	-10	-35	-35	-30

Note:

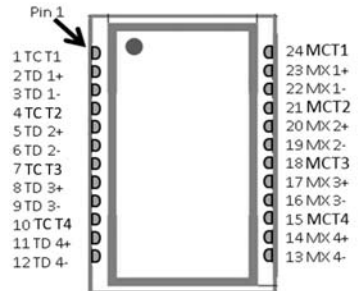
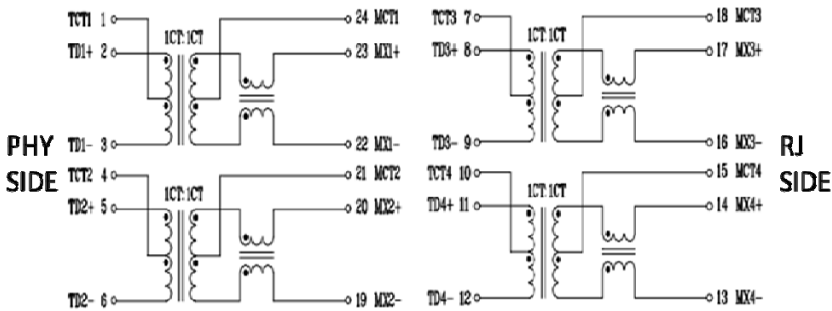
1. All test data referenced to 25°C ambient
2. Hi-Pot resistance of 1500 VAC for 1 minute

6. Schematic and Pin Define

LAN-16G241P1A8



LAN-16G241P1B8



LAN-16G242P1A8

