

Wire Wound Type Common Mode Filter

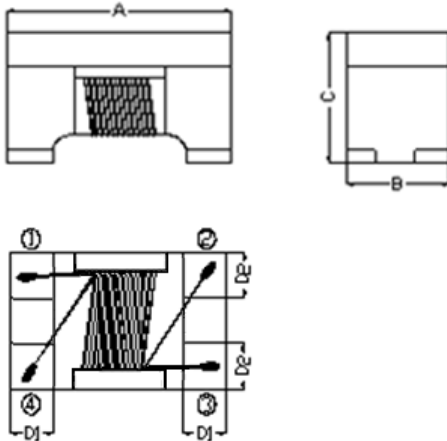
ACM3225F2UV-SERIES-S

1. Features

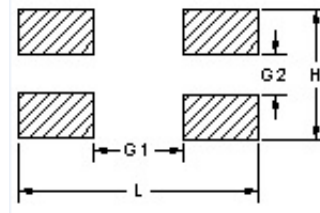
1. High common mode impedance at high frequency effects excellent noise suppression performance.
2. ACM3225F2U series realizes small size and low profile 3.2x2.5x2.5 mm
3. 100% Lead(Pb) & Halogen-Free and RoHS compliant.
4. High reliability -Reliability tests comply with AEC-Q200
5. Operating temperature -40~+125°C (Including self - temperature rise)



2. Dimension



Recommended PC Board Pattern



Series	A(mm)	B(mm)	C(mm)	D1(mm)	D2(mm)	L(mm)	H(mm)	G1(mm)	G2(mm)
3225F2U	3.3±0.2	2.5±0.2	2.5 max	0.55±0.15	1.00±0.20	3.7	2.8	2.4	0.6

Units: mm

3. Part Numbering



- A: Series
- B: Dimension
- C: Material Ferrite Core
- D: Number of Lines 2=2 lines
- E: Type W7C
- F: Category Code V=Vehicle
- G: Inductance 201=200(μH)
- H: Packaging T=Taping and Reel
- I: Rated Current 007=70mA
- J: Control S/N

4. Specification

TAI-TECH Part Number	Inductance (μH) [100kHz/0.1V]	DC Resistance (Ω) max.	Rated Current (mA) max.	Rated voltage (Vdc) max.	IR (MΩ) min.
ACM3225F2UV-101T01-S	100 +50/-30%	1.5	150	80	10
ACM3225F2UV-201T007-S	200 +30/-10%	5.5	70	80	10

