

Transponder Coils

PASU6420V-SERIES

1. Features

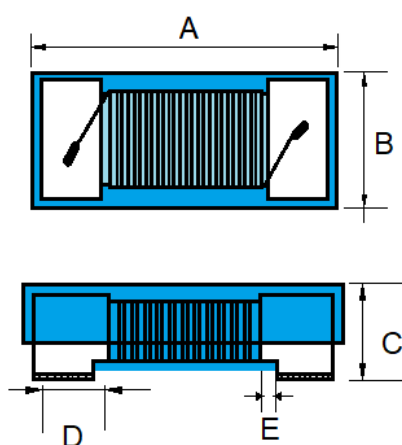
1. Suitable for pick and place and AOI (Automatic Optical Inspection)
2. PASU6420V-series realizes small size and low profile. 6.6x2.5x2.0 mm.
3. 100% Lead(Pb) & Halogen-Free and RoHS compliant.
4. Suitable for lead-free reflow soldering
5. High reliability -Reliability tests comply with AEC-Q200
6. Operating temperature -55~+125°C (Including self - temperature rise)



2. Applications

1. T-coil/HAC-coil for hearing and aid compatible cell phones.
2. Decoupling in RF and IF-circuit.
3. Transponder antenna.

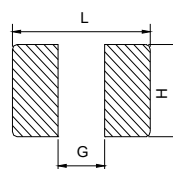
3. Dimensions



Size	A(mm)	B(mm)	C(mm)	D(mm)	E(mm)
PASU6420V	6.60±0.30	2.50±0.30	2.00±0.30	1.25 ref.	0.25 ref.

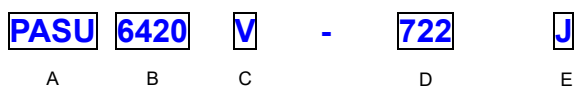
Unit:mm

Recommend PC Board Pattern



L(mm)	G(mm)	H(mm)
7.0	4.6	2.0

4. Part Numbering



- A: Series
 B: Dimension L x H
 C: Category Code V=Vehicle
 D: Inductance 722=7200 uH
 E: Inductance Tolerance K=±10%, J=±5%

5. Specification

Part Number	Inductance (uH)	f _{L0} (kHz)	SRF (KHz)Typ.	RDC(Ω) MAX	Rated current (mA)Max.
PASU6420V-492J	4900±5%	125	600	107	30
PASU6420V-722K	7200±10%	125	450	130	15