

Transponder Coils

PASU8027V-SERIES

1. Features

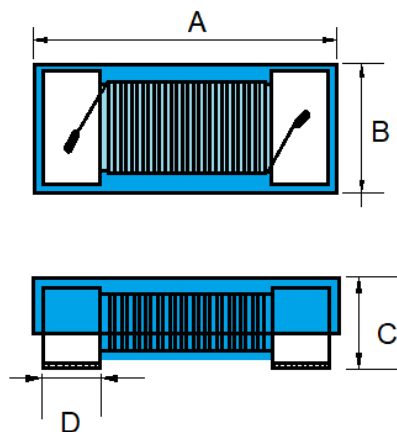
1. Suitable for pick and place and AOI (Automatic Optical Inspection)
2. PASU8027V-series realizes small size and low profile. 7.50x2.40x2.2 mm
3. 100% Lead(Pb) & Halogen-Free and RoHS compliant.
4. Suitable for lead-free reflow soldering
5. High reliability -Reliability tests comply with AEC-Q200
6. Operating temperature -55~+125°C (Including self - temperature rise)



2. Applications

1. T-coil/HAC-coil for hearing and aid compatible cell phones.
2. Decoupling in RF and IF-circuit.
3. Transponder antenna.

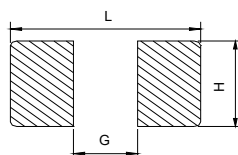
3. Dimensions



Size	A(mm)	B(mm)	C(mm)	D(mm)
PASU8027V	7.50±0.30	2.40±0.30	2.20±0.30	1.15 ref.

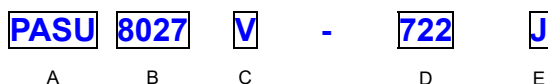
Units : mm

Recommend PC Board Pattern



L(mm)	G(mm)	H(mm)
9.5	5.2	2.9

4. Part Numbering



A: Series

B: Dimension

C: Lead Free Code

D: Inductance

E: Inductance Tolerance

V=Vehicle

722=7.2 mH

J=±5%

5. Specification

Part Number	Inductance (mH) ±5%	Test Frequency (Hz)	Q Typ.	RDC (Ω) max	Rated current (mA) max.
PASU8027V-722J	7.2	125K	35	105	20
PASU8027V-193J	18.52	125K	35	240	20