

Power Inductor

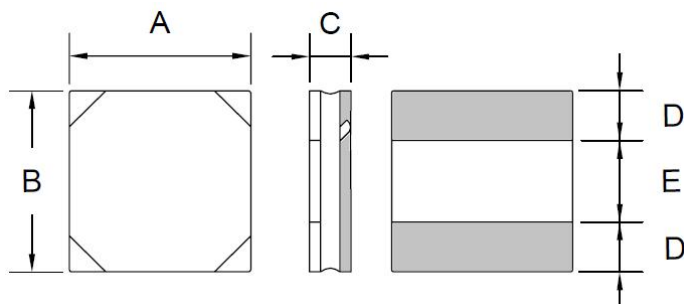
AHP3010HF-SERIES

1. Features

1. This specification applies Low Profile Power Inductors.
2. 100% Lead(Pb) & Halogen-Free and RoHS compliant.
3. Operating temperature :-40~+125°C (Including self - temperature rise)

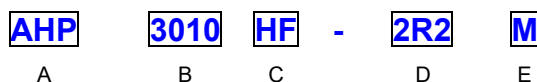


2. Dimension



Series	A(mm)	B(mm)	C(mm)	D(mm)	E(mm)
AHP3010HF	3.0±0.2	3.0±0.2	1.0max.	1.0 ref.	1.0 ref.

3. Part Numbering



A: Series

B: Dimension

C: Lead Free

D: Inductance

2R2=2.2uH

E: Inductance Tolerance

M=±20%

4. Specification

TAI-TECH Part Number	Inductance (uH)	Tolerance (%)	Test Frequency (Hz)	DCR (Ω) typ.	DCR (Ω) max.	I sat (A)	I rms (A)
AHP3010HF-R47M	0.47	±20%	1V/1M	0.033	0.039	5.80	3.50
AHP3010HF-R68M	0.68	±20%	1V/1M	0.048	0.058	5.00	3.00
AHP3010HF-1R0M	1.0	±20%	1V/1M	0.068	0.080	4.60	2.50
AHP3010HF-1R5M	1.5	±20%	1V/1M	0.087	0.100	3.50	2.30
AHP3010HF-2R2M	2.2	±20%	1V/1M	0.115	0.135	2.70	2.00
AHP3010HF-3R3M	3.3	±20%	1V/1M	0.210	0.238	2.20	1.50
AHP3010HF-4R7M	4.7	±20%	1V/1M	0.265	0.315	1.90	1.30
AHP3010HF-6R8M	6.8	±20%	1V/1M	0.300	0.360	1.40	1.10
AHP3010HF-100M	10	±20%	1V/1M	0.360	0.420	1.10	1.00

Note:

Isat: Saturation Current (Isat) will cause L0 to drop approximately 30%.

Irms: Heat Rated Current (Irms) will cause the coil temperature rise approximately Δt of 40°C

9. Typical Performance Curves

