

SMD LAN Inductor for Capacitive Type LAN Module

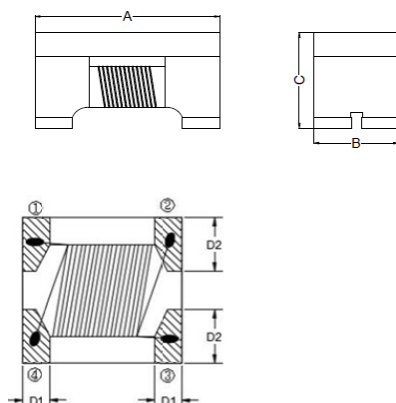
DCM4532F2UF-600

1. Features

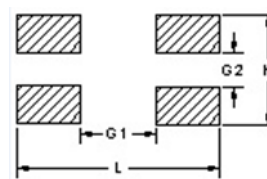
1. High common mode impedance at high frequency cause excellent noise suppression performance.
2. DCM4532F2UF series realizes small size and low profile. 4.5x3.2x2.8 mm.
3. 100% Lead(Pb) & Halogen-Free and RoHS compliant.
4. Operating temperature-40~+125°C (Including self - temperature rise)



2. Dimension



Recommended PC Board Pattern



Series	A(mm)	B(mm)	C(mm)	D1(mm)	D2(mm)	L(mm)	H(mm)	G1(mm)	G2(mm)
4532F2UF	4.5±0.2	3.2±0.2	3.0±0.2	1.0±0.1	1.2±0.1	4.8	3.8	2.6	0.8

Units: mm

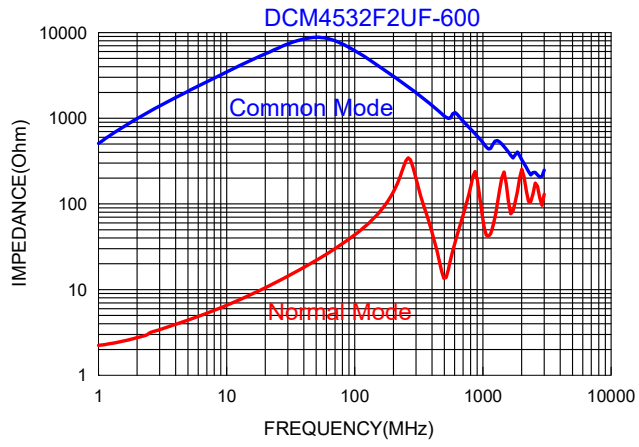
3. Part Numbering

DCM	4532	F	2	U	F	-	600
A	B	C	D	E	F		G

- A: Series
 B: Dimension
 C: Material Ferrite Core
 D: Number of Lines 2=2 lines
 E: Type W7C
 F: Lead free
 G: Inductance 600=60(uH)

4. Specification

TAI-TECH Part Number	Inductance (μH) [100kHz]	DC Resistance (Ω) max.	Rated Current (mA) max.	Rated Volt. (Vdc) max.	IR (Ω) min.
DCM4532F2UF-600	60min	0.50	20	50	1M



5. Schematic Diagram

