

LAN Transformer Module **LAN-17J241E7L9**

1. Features

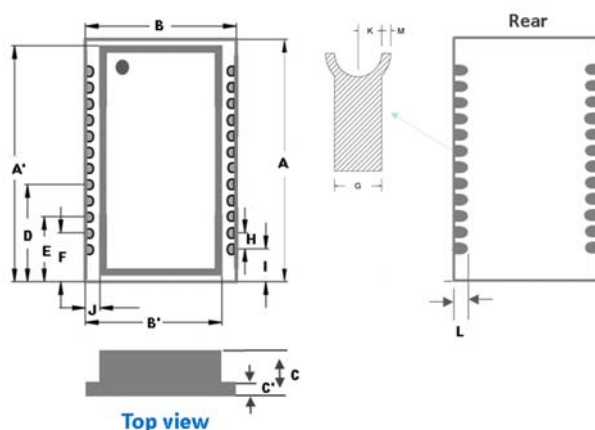
1. Low profile, small footprint saves board space and height
2. Design for 10G ethernet application
3. Pin to Pin compatibility with LAN transformer
4. Operating temperature range: -40°C to +85°C
5. Storage temperature range: -40°C to +85°C
6. 100% Lead (Pb)-Free and RoHS compliant.



2. Applications

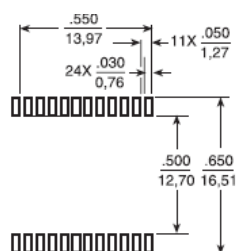
1. 10G Base-T, Single Port, Low profile Modules w/Surge Protection (24 Pin)
2. Notebook pc LAN Transformer Module
3. Hub switch, Ap router Multi-port LAN Transformer.

3. Dimensions



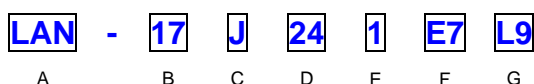
Size	A(mm)	A'(mm)	B(mm)	B'(mm)	C(mm)	C'(mm)
		17.53±0.25	17.03±0.25	14.6±0.25	13.92±0.25	4.5 max
Size	D(mm)	E(mm)	F(mm)	G(mm)	H(mm)	I(mm)
	6.86±0.25	4.32±0.25	3.05±0.25	0.4±0.15	1.27±0.15	1.78±0.25
Size	J(mm)	K(mm)	L(mm)	M(mm)		
	0.67±0.15	0.2±0.075	1.1±0.15	0.095±0.076		

Recommend PC Board Pattern



Units: mm (inch) Tolerance: XX.X0 +/-0.25 (0.010)
0.XX +/-0.05 (0.002)

4. Part Numbering



A: Series C: Application E: Center tab G: Special
 B: Long D: Pin F: Pitch

LAN Transformer Module	LAN-17J241E7L9
-------------------------------	-----------------------

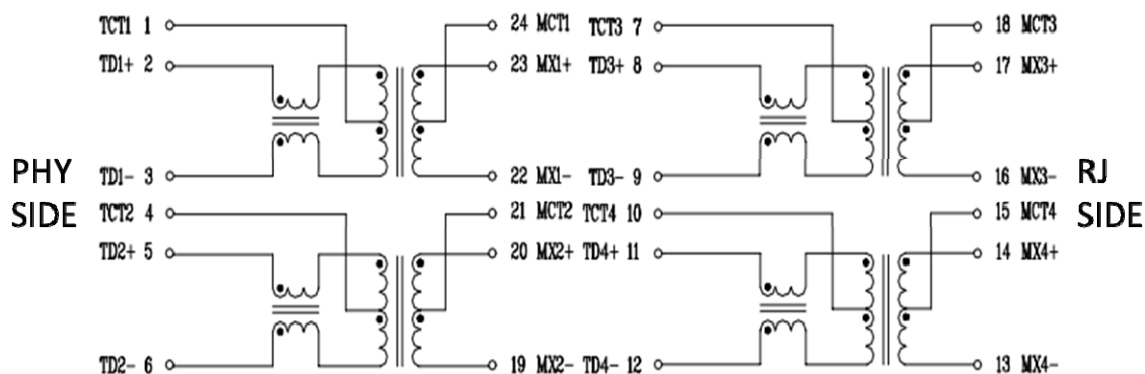
5. Specification

Part Number	OCL (uH Min) @100KHz/0.1V	Insertion Loss (dB Max)	Return Loss (dB min)		Cross talk (dB min)	DCMR(dB Min)	
			1~500MHz	1 ≤ f ≤ 40MHz 40 ≤ f ≤ 500MHz		1~500MHz	1~250MHz 250~500MHz
LAN-17J241E7L9	120	-3.0	-16	-(16-10log ₁₀ (f/40))	-30	-22	-18

Note:

1. All test data referenced to 25°C ambient
2. Hi-Pot resistance of 1500 VAC for 1 minute
3. Recommended: modules should be surface-mounted on the second time(last time) of customer's double-sided PCB to prevent shift of parts.

6. Schematic



7. Pin Define

