

SMD Pulse Transformer

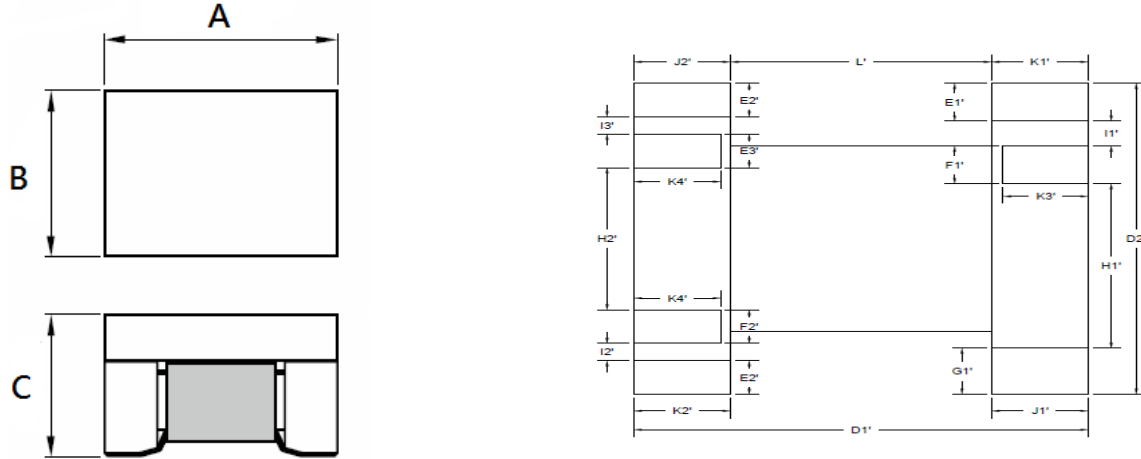
TXF464429NF-381-7P

1. Features

1. SMD type pulse transformers.
2. TXF464429NF is small size and low profile 4.60X4.40X2.9 mm.
3. 100% Lead(Pb) & Halogen-Free and RoHS compliant.
4. Operating temperature -40~ +105°C (Including self - temperature rise)
5. For 10/100/1G Base-T



2. Dimension / Part Dimension

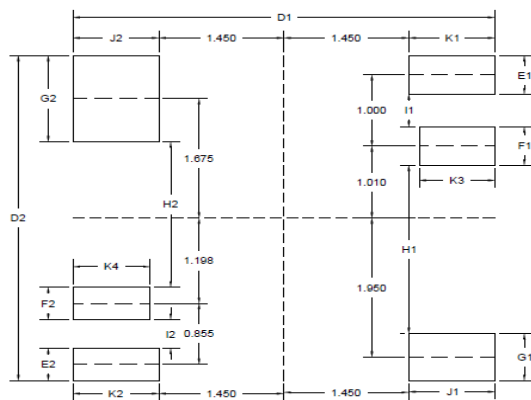


Series	A(mm)	B(mm)	C(mm)	D1'(mm)	D2'(mm)	E1'(mm)	E2'(mm)	E3'(mm)	F1'(mm)	F2'(mm)	G1'(mm)
464429NF-7P	4.70±0.20	4.40±0.20	2.90Max	4.7±0.20	4.46±0.20	0.56±0.08	0.48±0.06	0.50±0.06	0.56±0.10	0.50±0.06	0.65±0.10

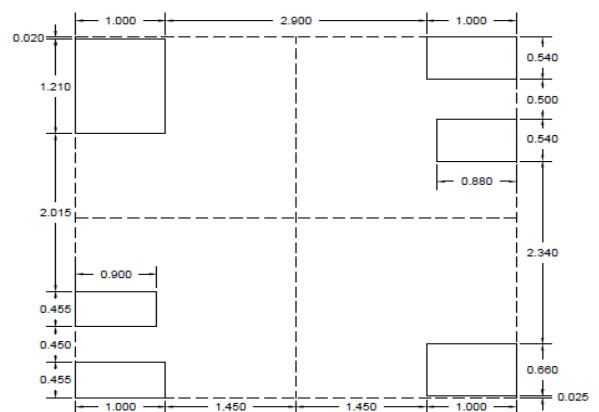
Series	H1'(mm)	H2'(mm)	I1'(mm)	I2'(mm)	I3'(mm)	J1'(mm)	J2'(mm)	K1'(mm)	K2'(mm)	K3'(mm)	K4'(mm)	L'(mm)
464429NF-7P	2.38±0.20	2.04±0.20	0.33±0.05	0.24±0.04	0.24±0.05	1.00±0.20	1.00±0.20	1.00±0.20	1.00±0.20	0.88±0.16	0.90±0.16	2.70±0.20

Units: mm

Recommended PC Board Pattern



Solder paste stencil aperture recommendation



Series	D1(mm)	D2(mm)	E1(mm)	E2(mm)	F1(mm)	F2(mm)	G1(mm)	G2(mm)	H1(mm)	H2(mm)
464429NF-7P	4.90	4.56	0.54	0.455	0.54	0.455	0.66	1.21	2.36	2.04
Series	I1(mm)	I2(mm)	J1(mm)	J2(mm)	K1(mm)	K2(mm)	K3(mm)	K4(mm)		
464429NF-7P	0.46	0.40	1.00	1.00	1.00	1.00	0.88	0.90		

3. Part Numbering



- A: Series
- B: Dimension AxBxC
- C: Material Ferrite Core
- D: RoHs F=Lead Free
- E: Inductance 381=380 uH
- F: Control S/N

4. Specification

TAI-TECH Part Number	Inductance (uH) (DC bias 0mA) Measure ①-② Or Measure ⑤to⑥ (③-④short)	Inductance (uH) (DC bias 8mA) Measure ①-② Or Measure ⑤to⑥ (③-④short)	Test Frequency (Hz/V)	Insertion loss	Cp Capacitance(pF) (③-④short) and ⑦	Turns ratio ①-② : ⑤-⑥ (short ③to④)	HI-POT ①②⑦to⑤⑥ (short ③to④)
TXF464429NF-381-7P	380 uH(Min)	350 uH(Min)	100K/0.1	1-100MHZ -1.5dB Max	35pF(typ)	1:1	AC 1.5KV 60SEC

5. Schematic Diagram

