

# SMD Pulse Transformer

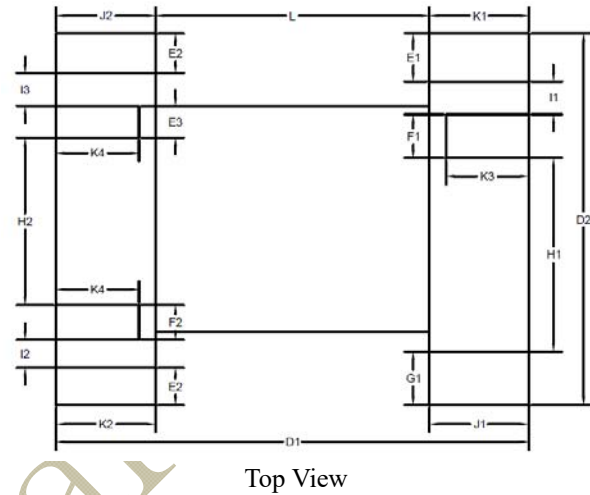
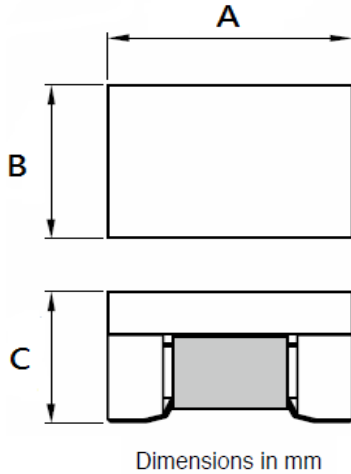
TXF564545NF-151-7P-GP2

## 1. Features

1. SMD type pulse transformers.
2. TXF564545NF is small size and low profile 5.60X4.50X4.50 mm.
3. 100% Lead(Pb) & Halogen-Free and RoHS compliant.
4. Operating temperature -40~ +105°C (Including self - temperature rise)
5. For 1G, 2.5/5G Base-T, POE++ 1000mA



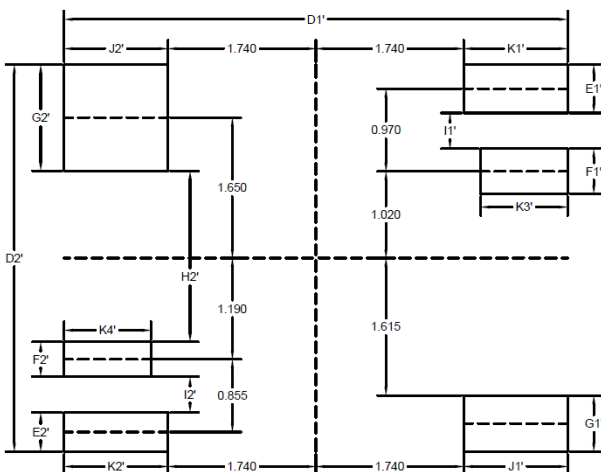
## 2. Dimension / Part Dimension



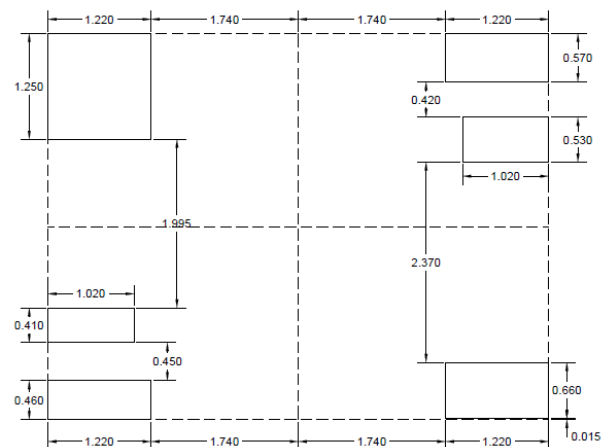
Series	A(mm)	B(mm)	C(mm)	D1(mm)	D2(mm)	E1(mm)	E2(mm)	E3(mm)	F1(mm)	F2(mm)	G1(mm)	H1(mm)
564545NF	5.72±0.20	4.45±0.20	4.50Max	5.72±0.20	4.45±0.20	0.57±0.08	0.46±0.06	0.42±0.06	0.53±0.06	0.41±0.06	0.66±0.10	2.32±0.20
Series	H2(mm)	I1(mm)	I2(mm)	I3(mm)	J1(mm)	J2(mm)	K1(mm)	K2(mm)	K3(mm)	K4(mm)	L(mm)	
564545NF	1.97±0.20	0.37±0.05	0.37±0.05	0.36±0.05	1.22±0.20	1.22±0.20	1.22±0.20	1.22±0.20	1.02±0.16	1.02±0.16	3.28±0.20	

Units: mm

### Recommended PC Board Pattern



### Solder paste stencil aperture recommendation



Series	D1'(mm)	D2'(mm)	E1'(mm)	E2'(mm)	F1'(mm)	F2'(mm)	G1'(mm)	G2'(mm)	H2'(mm)
564545NF	5.92	4.55	0.57	0.46	0.53	0.41	0.66	1.25	2.01
Series	I1'(mm)	I2'(mm)	J1'(mm)	J2'(mm)	K1'(mm)	K2'(mm)	K3'(mm)	K4'(mm)	
564545NF	0.42	0.42	1.22	1.22	1.22	1.22	1.02	1.02	

Units: mm

