

# Wire Wound Type Common Mode Filter

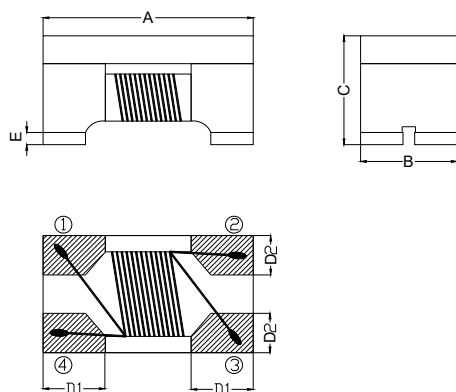
WCM3225F2SF-SERIES

## 1. Features

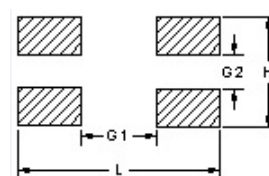
1. High common mode impedance at high frequency cause excellent noise suppression performance.
2. WCM3225F2SF series realizes small size and low profile. 3.2x2.5x2.2 mm.
3. 100% Lead(Pb) & Halogen-Free and RoHS compliant.
4. Operating temperature-40~+125°C (Including self - temperature rise)



## 2. Dimension



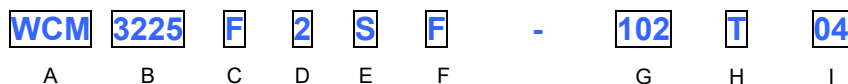
### Recommended PC Board Pattern



Series	A(mm)	B(mm)	C(mm)	D1(mm)	D2(mm)	E(mm)	G1(mm)	G2(mm)	H(mm)	L(mm)
3225F2SF	3.2±0.2	2.5±0.2	2.2±0.2	0.8±0.1	0.9±0.1	0.15±0.1	1.6	0.6	3.5	4.4

Units: mm

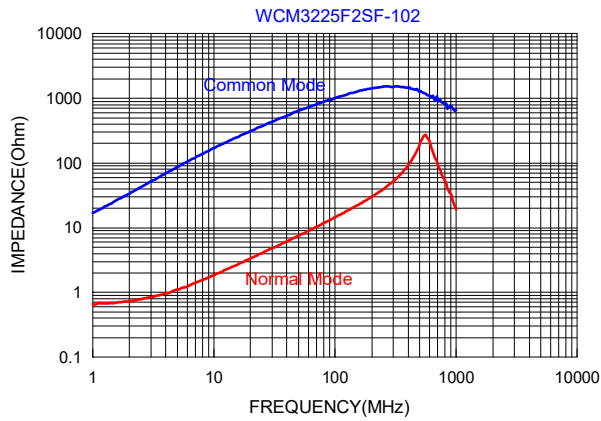
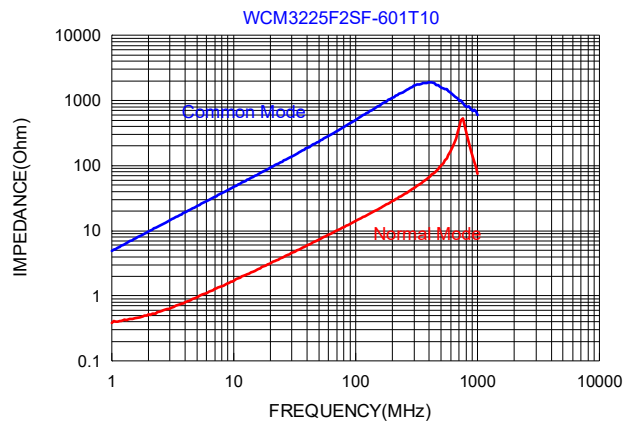
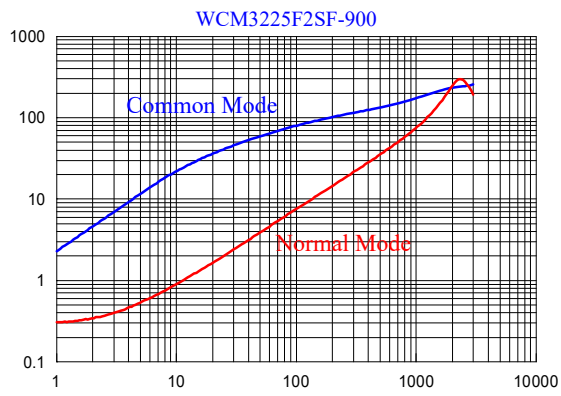
## 3. Part Numbering



- A: Series  
 B: Dimension  
 C: Material            Ferrite Core  
 D: Number of Lines    2=2 lines  
 E: Type                 S=Shielded , N=Unshielded  
 F: Lead free type  
 G: Impedance            102=1000Ω  
 H: Packaging             T=Taping and Reel  
 I: Rated Current         04=400mA

## 4. Specification

TAI-TECH Part Number	Common mode Impedance (Ω)	Test Frequency (MHz)	DC Resistance (Ω) max.	Rated Current (mA)max.	Rated Volt. (Vdc)max.	Withstand Volt. (Vdc) max.	IR (Ω) min.
WCM3225F2SF-900T10	90±25%	100	0.050	1000	50	125	10M
WCM3225F2SF-601T10	600±25%	100	0.20	1000	50	125	10M
WCM3225F2SF-102T04	1000±25%	100	0.30	400	50	125	10M



### 5. Schematic Diagram

